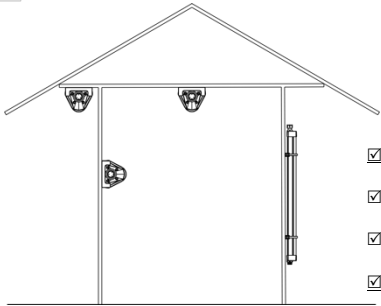


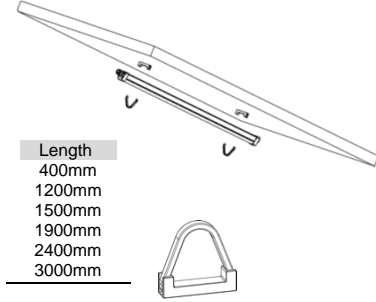
Installation Guidance

1 Mounting Methods

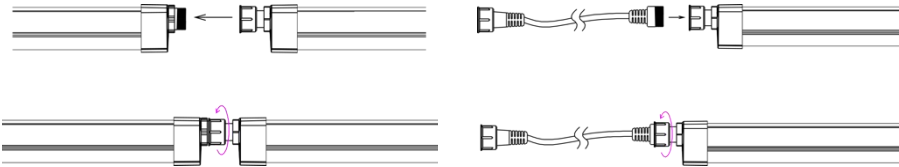


- Ceiling
- Wire
- Horizontal
- Vertical

Length
 400mm
 1200mm
 1500mm
 1900mm
 2400mm
 3000mm



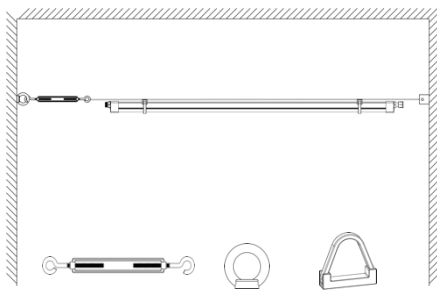
2 Input Connector



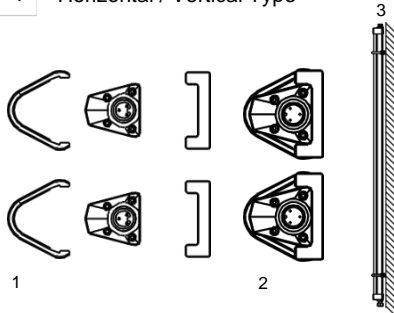
B) Connector to Connector

A) Connector to Cable

3 Wire



4 Horizontal / Vertical Type



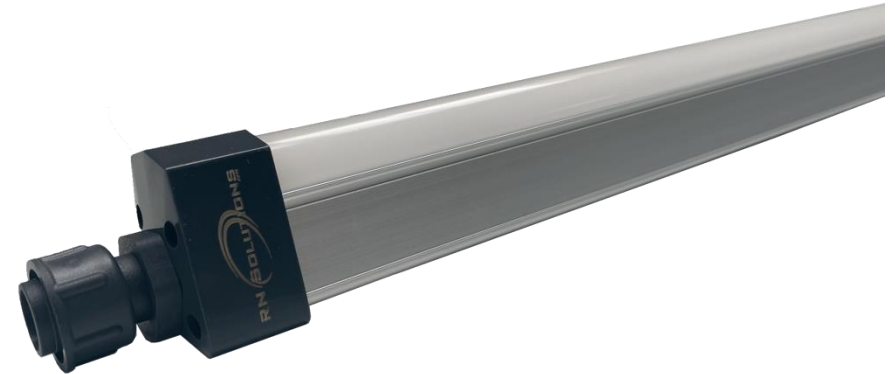
5 Remarks

- Be sure to fix the luminaire in brackets and **tighten** the connectors properly to avoid short circuit.
- Refer to the label on the luminaire for technical specifications.
- **IMPORTANT!** Always make sure to end the series with an end cap, to seal the female plug.



USER'S MANUAL

Modular-Light



CONTENTS

Foreword	2
Safety Instructions	2
Important information	3
Product Dimensions	3
Wiring Diagram	3
Installation Guidance	4

Foreword

Thanks for choosing our LED Modular-Light. We strongly recommend you read this manual carefully before installation. Make sure you have understood the assembly instructions correctly, to ensure the right performance of our Modular-Light.

* *Kontakt venligst RN Solutions ApS, hvis du ønsker brugermanualen på Dansk.*

* *Vänligen kontakta RN Solutions APS, om du önskar manualen på Svenska.*

* *Bitte kontaktieren Sie RN Solutions ApS, wenn Sie das Handbuch auf Deutsch verwenden möchten.*

RN Solutions ApS

Phone +45 9838 5995

E-mail: info@rnsolutions.dk

Safety Instructions

To ensure product stability and a safe application, please kindly follow these instructions:

- Before opening the package, please check if there has been damage or defect during transportation, if damage occurs, please do not use it, and inform your supplier immediately.
- Should the product be found damaged in any way, please do not unpack, and contact your supplier in time.
- Please do not attempt to use a damaged product.
- The product should be installed, dismantled, and maintained only by a qualified electrician. This manual prohibits all mishandling of the supplied products and accessories like e.g., wrong installation etc.
 - DISCLAIMER:** Suppliers do not take responsibility for any problems or damages that occurs due to mishandling the product.
- Always make sure to turn the male plug against the power supply.
- Always make sure to end the series with an end cap, to seal the female plug.
- μ s The luminaires can be jet-washed with water and soap (IP69K). Be sure not to use any sandpaper, polishing powder or alcohol, dissolvents, and similar liquids.
- Do not connect the cables while the luminaire is powered on.

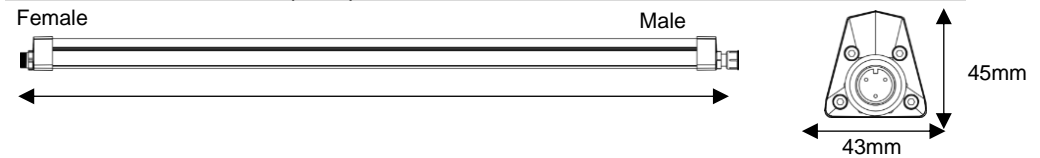
This manual applies to this specific product only.

For more information, please contact your supplier.

Important information

- This product is only compatible with RNS Plug´N Play system - Plug 3 and RNS Accessories.
- Make sure to **gently** CLICK the luminaire in the brackets, to ensure no damages on the luminaire.
- Maximum 1500W. connected in one line/series.

Product Dimension (mm)



ITEM	Size	Power (W)	In-rush & time	Leakage current
AMD040C10P	400mm	10W	2A, 10 μ s	0.4mA
AMD120_18P AMD150_25P AMD190_30P	1200mm 1500mm 1900mm	18W 25W 30W	2.4A, 10 μ s	0.4mA
AMDV150_36P AMD240_36P AMDV300_36P	1500mm 2400mm 3000mm	36W	4.2A, 10 μ s	0.4mA
AMD300_72P	3000mm	72W	8.4A, 10 μ s	0.8mA

Wiring Diagram

